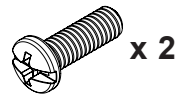
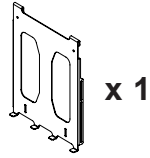


Installation Guide

Installationsanleitung, Guía de Instalación, Guida de Installazione, Guide d'Installation, Installatie gids



M4x12mm
Screw



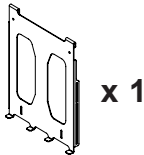
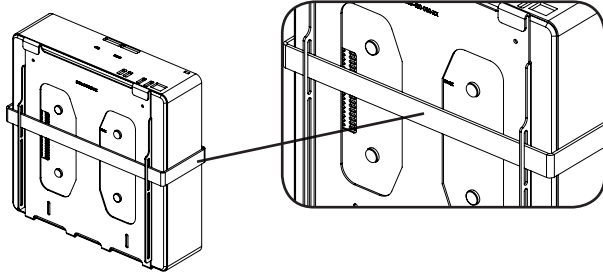
Holder Bracket



Velcro Strap

1

Wrap the media player to the bracket using a Velcro strap.



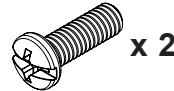
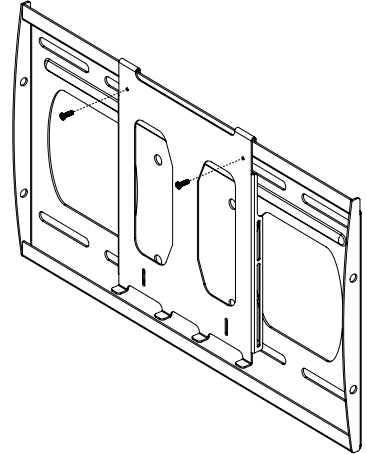
Holder Bracket



Velcro Strap

2

Use screw when necessary depending on the media player



M4x12mm
Screw

3

